



PERIPHERIAL PUMP
Instruction Manual
APm37 / APm75



Congratulations on your purchase of a LEO Peripheral Pump



It is important that you read, fully understand and observe the following safety precautions and warnings. Careless or improper use of the machine may cause serious or fatal injury. The user is responsible for any accidents involving other people or other people's property.



This appliance can be used by children aged from 8 years and above and persons with reduced physical, sensory or mental capabilities or lack of experience and knowledge if they have been given supervision or instruction concerning use of the appliance in a safe way and understand the hazards involved.

Children shall not play with the appliance. Cleaning and user maintenance shall not be made by children without supervision.

Attention!

If the appliance or the supply cord is damaged, it must be repaired by manufacturer, its service agent or qualified person-



Do not dispose of electrical appliances as unsorted municipal waste, use separate collection facilities.

Contact your local government for information regarding the collection systems available.

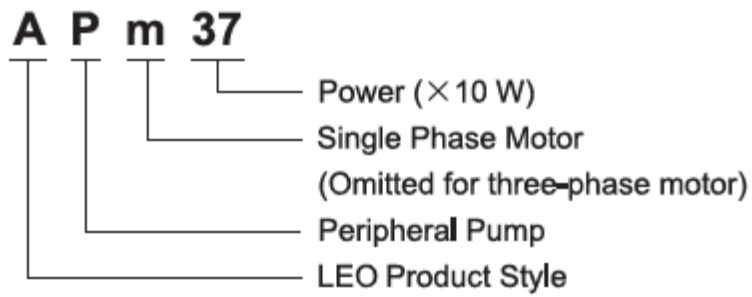
Applications

- It is applicable to household water supply, equipment support, small air- conditioning system, pipeline pressurization, garden watering, vegetable greenhouse watering, fish breeding and poultry raising, etc.
- Transfer clean water and other non-corrosive liquids with low viscosity; do not transport inflammable, explosive, gasified liquids and liquids containing solid particles or fibers. The PH of water must between 6.5 and 8.5.

Remark:

This series of pump could be transformed into automatic water pump, which is realized through external automatic plant that is composed of pressure switch, pressure tank, etc. Function features of the automatic pump are as follows: when the power is on, turn on the water tap and the pump will start working automatically; when the water tap is turned off, the pump will stop working automatically. If a water tower is used along with the automatic pump, connect to the upper limit switch and the pump will start or stop working automatically with water level in the water tower.

Model Description



Technical Data

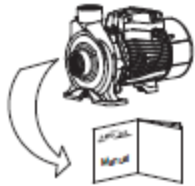
- Max. flow: 90L/min
- Max. head: 100m
- Output power: 0.25~2.2kW
- Max. Suction: 8m
- Insulation class: IPX4
- Protection class: F
- Max. ambient temperature: +40°C
- Max. liquid temperature: +60°C

Type	APm37	APm75
Power	370 W / 0,5 HP	750 W / 1,0 HP
Inlet/outlet diameter	1" / 1"	1" / 1"
Qmax	2,4 m ³ /h	3,0 m ³ /h
Hmax	35 m	70 m
Max. Suction	8 m	8 m
Gross weight	5,5 kg	10,5 kg
Package	283x158x171mm	335x190x210mm

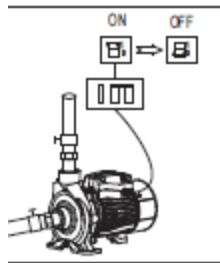
Implementation Standards

- IEC/EN 60335-1 Household and similar electrical appliances--safety Part1: General requirements.
- IEC/EN 60335-2-41 Household and similar electrical appliances--safety Part2-41: Particular requirements for pump.
- 2006/95/EC Low voltage directive

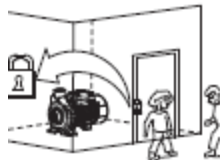
Safety Precautions



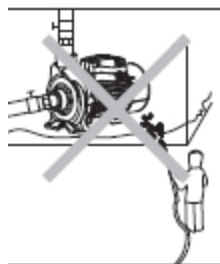
To ensure normal and safety operation of the electric pump, read the manual carefully before use.



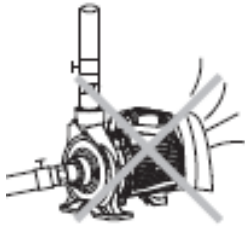
The electric pump should have reliable grounding to prevent short circuit; for safety, leakage protection switch should be equipped and be careful not to wet the power plug; socket should be connected in damp - proof area.



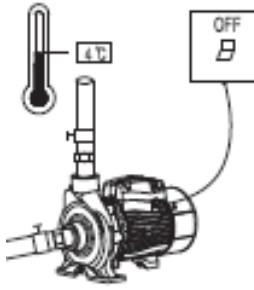
Do not touch the electric pump while working; do not wash, swim near working area or let livestock into the water to avoid accidents.



Avoid splashing pressured water to the electric pump as well as prevent the pump immersed by water.

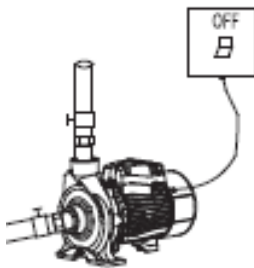


Keep the pump in ventilation.

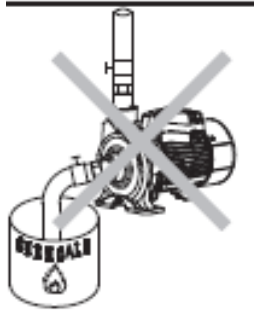


In case ambient temperature is lower than 4°C or the pump is not used for a long time, empty liquid the pipeline system to avoid ice cracking of the pump chamber.

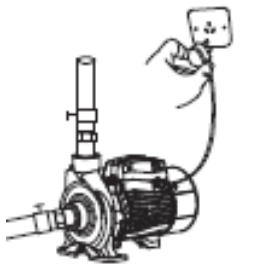
Do not operate the pump for a long time without water in it.



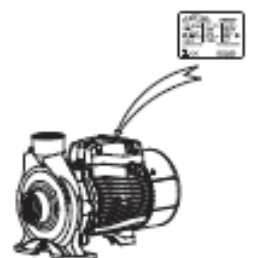
The pumped liquid maybe hot and under high pressure, before moving and demounting the bump, valves in both sides of the bump should be turned off first and then empty liquids in the pump and pipelines so as not to be scalded.



Do not transfer any inflammable, explosive or gasified liquids that beyond the stipulation.

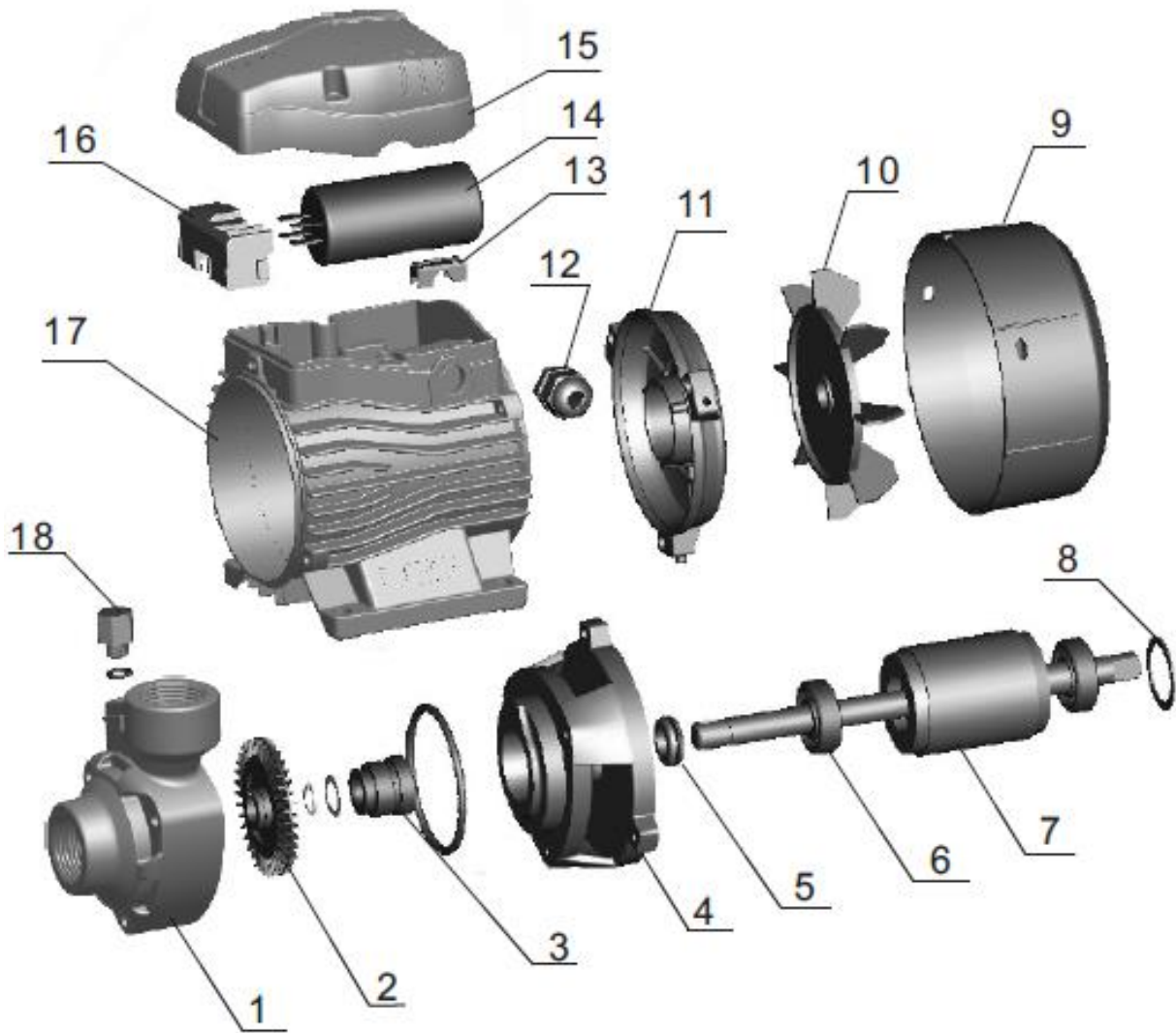


Ensure the pump will not be accidently turned on while installing and maintaining; if not used for a long time, cut off the power first and then turn off valves in inlet and outlet of the pump.



Power supply should be in accordance with the voltage stated in the nameplate. If not used for a long time, put the pump in dry, ventilated and cool place under room temperature.

Product Structure



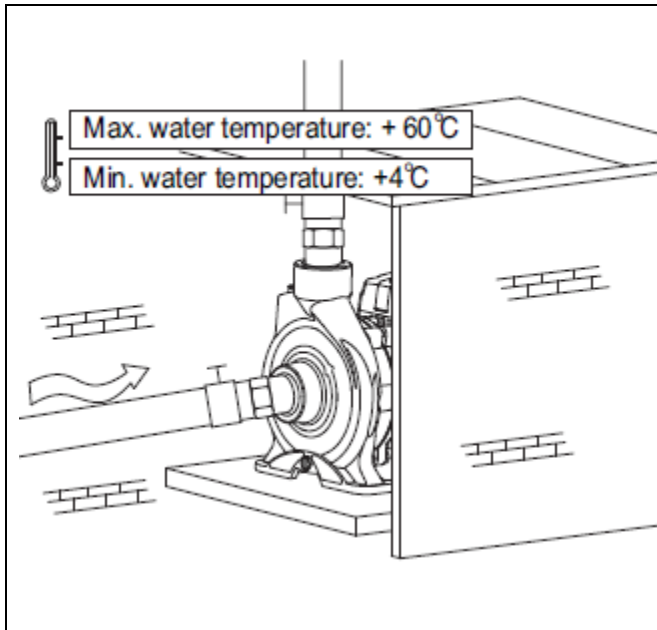
POS.	Part	POS.	Part
1	Pump body	10	Fan
2	Impeller	11	End plate
3	Mechanical seal	12	Cable holder
4	Support	13	Cord clip
5	Water proof gland	14	Capacitor
6	Bearing	15	Capacitor box
7	Rotor	16	Terminal board
8	Spring washer	17	Stator
9	Fan cover	18	Filling plug

Pipeline Installation



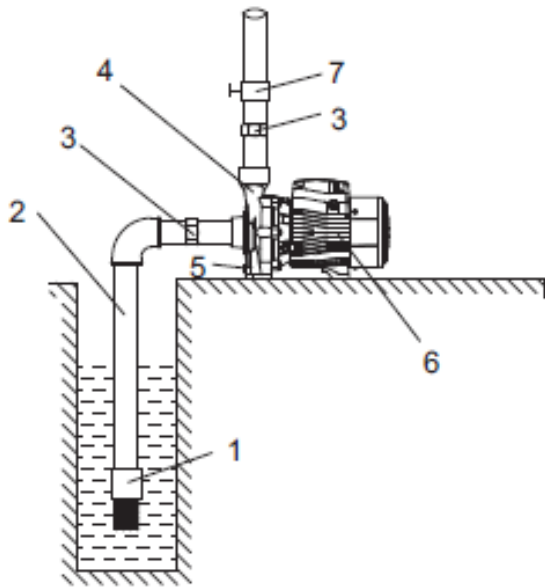
This product should be installed and maintained by personnel who is proficient in this manual and has special qualifications. Installation and operation should be in accordance with local regulations and recognized operation standards.

Install pipelines properly as stipulated in the manual and meanwhile conduct frost protection measures for the pipeline.

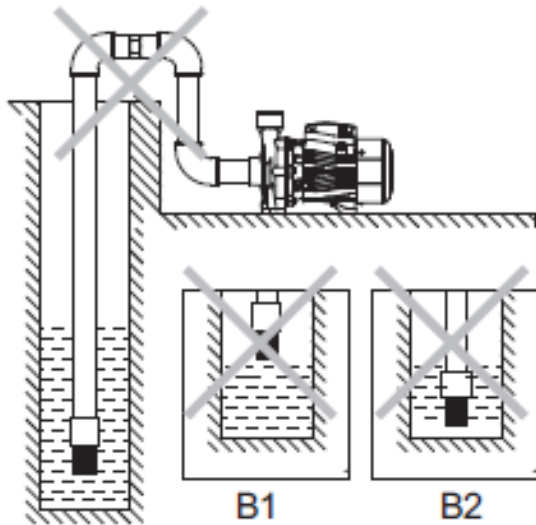


- For the installation, the inlet pipe should be as short as possible with the least turnings. The pump should be installed in ventilated and dry environment. It could be installed outside, provided having proper covering to prevent rain and wind.

- For pipeline use, valves should be installed on inlet and outlet pipelines and the inlet pipeline should be installed with check valve.



Correct Installation Diagram A
Correct Installation Diagram B



A:

1. Foot valve
2. Water tap
3. Outlet pipe
4. Filling plug
5. Electric pump
6. Tie-in
7. Inlet pipe

B: Installation precautions for inlet pipelines

1. While installing the electric pump, do not use too soft rubber tube for the inlet pipeline, avoiding to be sucked flat.
2. The foot valve should be vertically placed and installed 30cm from water bottom to avoid sucking in sands and stones (B2)
3. Joints of the inlet pipelines should be sealed with the least elbows; no water can be sucked.
4. Diameter of the inlet pipe should be at least in accordance with that of the water inlet, to avoid too much water loss which will influence outlet performance.
5. Pay attention to drop of water level while using, the foot valve should not be above the water surface (B1).
6. In case the inlet pipe is longer than 10m or its lifting height exceeds 4m, the pipe diameter should exceed diameter of water inlet of the pump.
7. Ensure the pumped will not be affected by pipeline pressures while installing the pipelines.
8. Filter should be installed in inlet pipelines so as to avoid solid particles to pump.

C: Installation Precautions of the outlet pipeline

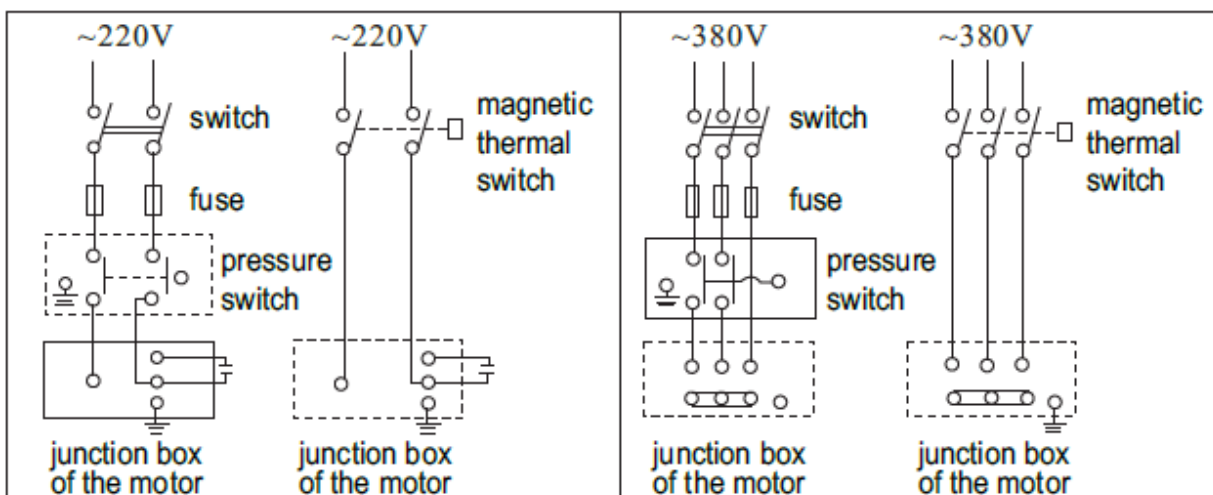
Pipe diameter of the outlet pipeline should be at least in accordance with that of the water outlet, so as to reduce its voltage drop, high flow rate and noise to the minimum.

Electrical Connection

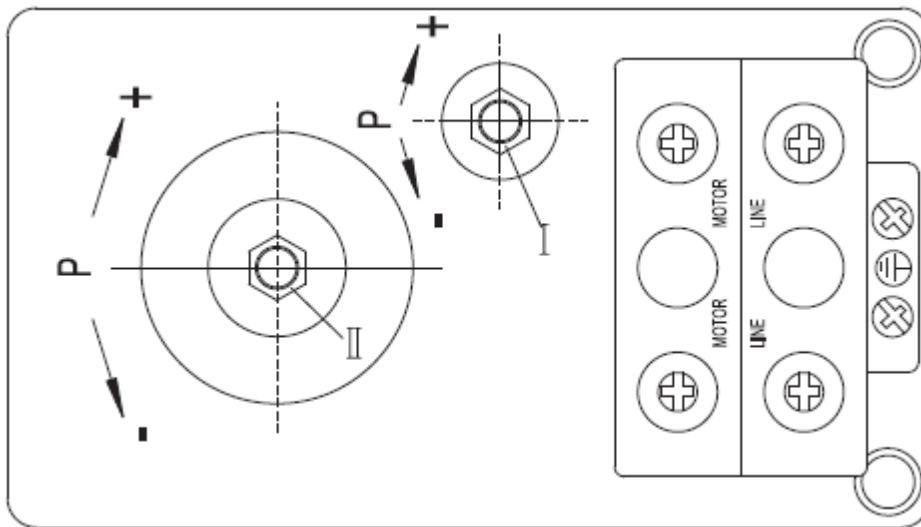


Unless the power is off, do not wiring the junction box.
The electric pump should have reliable grounding to prevent current leakage with leakage protection switch being equipped.

- Electrical connection and protection should be conducted according to stipulations. Specification of working voltage is marked on the nameplate; please ensure the motor is in accordance with power supply.
- In case the working area of the electric pump is too far from the power supply, power transmission lines should be of a heavier gauge, otherwise the electric pump cannot work normally because the voltage drop is too dramatic.
- A rubber extension cable shall be applied for the electric pump in case of outdoor use.
- Check rotation of the motor (three-phase motor).
- Check whether operation of the electric pump is normal, rotation is correct, which could be observed from the fan blade terminal, e.g. clockwise rotation means correct direction. In case the rotation is incorrect, cut off power and exchange the two power cables.



- Automatic device (Pressure switch)



- While using the automatic pump, in case it still operates after turning off the water tap, lower down power cut-off pressure of the pressure switch on the premise of pipeline without leakage, namely, rotate the variable screw nut II in counter clockwise direction (-) to acquire lower closing pressure.
- In case the pump is often enabled when the water tap is turned off (sometimes it is turned on and sometimes it is turned off), check whether pipeline and the bottom valve have leakages and pressure vessel pressure is normal, eliminate timely if any.
- In case the pressure switch is alternately turned on and turned off (frequent start) after turning on the water tap, increase power cut-off pressure of the pressure switch, namely, rotate the variable screw nut I in clockwise direction to acquire higher opening pressure.

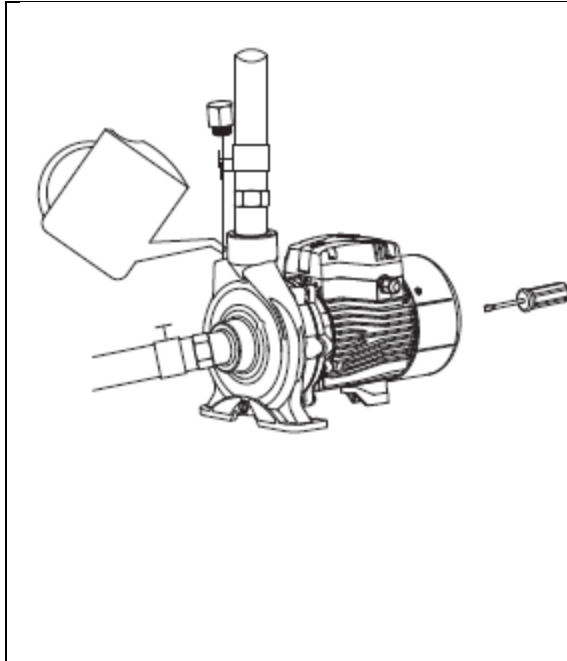
Start-up and Maintenance



Do not start up the pump before the pump chamber is filled with water.

Do not touch the electric pump unless its power has been cut off for at least 5 minutes.

Do not dismount the pump body unless water in the pump chamber is emptied.



Rotate the fan blade before start-up, check whether the pump rotation is flexible and then unscrew the water-filling plug, fill the pump chamber with clean water from the water injection hole, then tighten the plug screw after the air has been completely discharged. The valve should be shut tightly while starting up the pump. After the pump discharges water and operates normally, adjust the valve to the required flow (working range is displayed on the nameplate).

Attention:

- In case no water is discharged after being started for more than 5 minutes with water filled, turn off the electric pump, re-fill water or check whether the inlet pipeline has leakages
- In case of any frost and ice damages, please open the drain plug to empty water in the pump chamber. When start up the pump again, open the drain plug, fill water and tighten it and then the pump is usable.
- In case not use for a long time, water in the pump should be emptied. The pump body, impeller and support should be cleaned and coated with anticorrosive oil before they are put in a ventilated and dry place for use.
- In case the pump is halted for a long time, start it up again according to above diagram.
- In summer or when the ambient temperature is high, pay attention to ventilation, avoid dew on electrical parts which will result in electrical faults.
- In case the motor is hot or abnormal, cut off the power immediately and check faults according to the following table.

Troubleshooting



Check the pump after power cut-off.

Symptom	Cause	Corrective Action
The motor cannot be started	Single-phase power supply (three-phase electric motor): a. poor connection of the power switch; b. fuse is burned out; c. loose power lead; phase failure of the cable.	a. repair switch contact or replace the switch; b. replace the safety fuse; c. check and tighten the power connector; d. repair or replace cables.
	Capacitor is burned out.	Replace with a same type capacitor (send to the maintenance point for repair).
	The rotating shaft and bearing are jammed.	Replace the bearing (send to the maintenance point for repair).
	Impeller is jammed.	Turn rotating shaft of the fan blade terminal with screw driver to let it rotate flexibly or demount the pump body to clear sundries.
	Stator winding is damaged.	Replace winding coils (send to the maintenance point for repair).
The motor is in operation, but no water is discharged	Incorrect direction of pump rotation.	Invert two-phase wirings of the motor (three-phase motor).
	The pump is not fully filled with water.	Re-fill the pump with water.
	The impeller is damaged.	Replace the impeller (send to the maintenance point for repair).
	Leakage of the suction pipe.	Check sealing of various joints of the inlet pipelines.
	Water level is too low.	Adjust installation height of the pump.
Freeze caused by accumulated water in the pipeline or the chamber.	Start up the pump after ice is melted.	
Insufficient pressure	Incorrect pump type.	Select suitable pump.

Insufficient pressure	The inlet pipeline is too long or with too many bends, pipe diameter is not selected as required.	Apply the pipe with the stipulated diameter, and make the inlet pipe short.
	Inlet pipeline, filter screen or pump chamber is blocked by foreign materials.	Clean pipeline, foot valve or pump chamber, clear sundries.
Motor works intermittently or the stator winding is burned out	The impeller is jammed or under overload operation for a long time.	Clear sundries in the pump chamber; operate the pump under the rated flow as much as possible.
	Incorrect grounding, broken cable or the electric pump is hit by lightning.	Seek for the reason, and replace winding coils.

Guarantee terms

Please carefully retain the guarantee card completed by the seller, or the proof of purchase.

Pre-conditions for the 24-month guarantee entitlement:

- Deployment of the device solely for private use.

The guarantee is reduced to 12 months in the commercial sector or leasing business.

- Proper handling and observance of all information given in the operating manual, which forms part of our guarantee terms.

- Observance of the prescribed maintenance intervals

- No unauthorized alteration of the design.

- Presentation of the completed guarantee card and/or proof of purchase.

Any guarantee claim shall be immediately void in the event of unauthorized repairs. Faults and defects, which can be traced to material or manufacturing faults will be rectified exclusively by our contracted workshops (the seller has the right to remedy a defect) in your vicinity or by the manufacturer if the latter is closer. Any claims going beyond the provision of a guarantee are ruled out. Any transport damage should be reported not to us but to the shipper in question since, otherwise, any compensation claims the shipper would be voided.

Information concerning the packaging materials

The used packaging materials must be thrown into the relevant waste collector.

In case of the need of any parts, questions or service instructions please contact:

- szerviz@gamagarden.eu
- +36 30 508-6563

Acquaer Ltd., 4900 Fehérgyarmat, Szatmári u. 11 certifies CE conformity of the above-mentioned product and that it complies with the technical data specified in the data plate and the "Operating instructions".

You can get detailed information about the CE declarations at: www.gamagarden.eu

